



### A DYNAMIC SOLUTION FOR ANY APPLICATION

Briza is suitable for a wide range of applications where high power and quiet heating, cooling and ventilation is required.

With its sleek and slimline design, it's the perfect solution for residential projects and is also ideal for renovation projects, retail stores, office spaces and meeting rooms, schools, hotels, public buildings and many more.

Briza is available as a surface wall or ceiling model, with a robust and elegant casing to enhance the décor of any space. Alternatively, concealed variants are available,

ideal for building into wall or ceiling recesses, complete with a choice of duct accessories and grilles.

If you're heating or cooling a small space then Briza 12 is the perfect choice. Its shallow depth allows designers to integrate seamlessly and beautifully into any room.

For larger spaces, or multi-room applications, take a look at our Briza 22. Delivering high output heating and cooling at lower flow temperature, it has a powerful fan unit suited for ducted applications with the option of delivering fresh air for full ventilation.

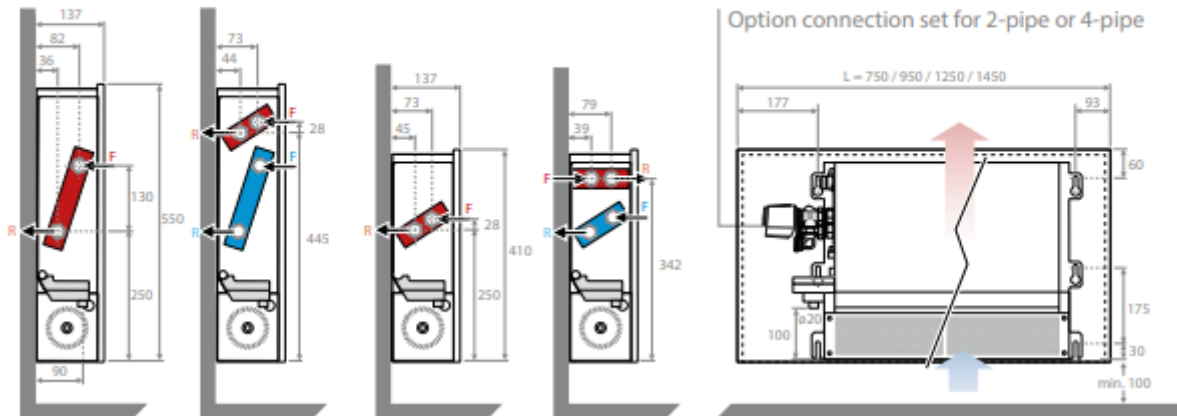
### BZMW

H 550 / 2-pipe

H 550 / 4-pipe

H 410 / 2-pipe

H 410 / 4-pipe



#### Head Office

The Radiator Centre, 7 Holywell Hill, St Albans, AL1 1EU

Tel: 01727 840344

### HEIGHT 410 – 2-PIPE

L mm	CONTROL VOLTAGE V	HEATING			TOTAL COOLING	SENSIBLE COOLING	LIGHT COOLING	SOUND PRESSURE*	AIR FLOW	POWER CONSUMPTION	WEIGHT	WATER CONTENT	ORDER CODE
		75/65 Watts	55/45 Watts	45/35 Watts	7/12 Watts	7/12 Watts	16/18 Watts	dB(A)	m³/h	Watts	kg	l	
750	2	903	538	355	284	201	115	18.5	64	1.6	16.0	0.17	BZMW.041 075 12.XXX/20
	4	1035	617	406	328	235	135	29.4	101	2.6			
	6	1194	712	469	382	276	159	31.3	141	4.3			
	8	1399	834	550	441	323	185	37.3	178	7.2			
	10	1669	996	656	503	373	214	42.5	214	13.0			
950	2	1545	921	607	472	334	191	24.0	108	2.5	20.3	0.27	BZMW.041 095 12.XXX/20
	4	1699	1014	668	529	379	217	30.0	172	4.3			
	6	1797	1072	706	607	440	252	36.8	223	7.2			
	8	2243	1338	881	707	518	297	41.5	287	11.5			
	10	2749	1640	1080	828	614	352	44.5	346	18.0			
1250	2	2431	1450	955	773	547	313	24.6	146	2.6	27.5	0.43	BZMW.041 125 12.XXX/20
	4	2717	1620	1067	845	605	347	30.2	221	4.8			
	6	3090	1843	1214	953	691	396	37.0	298	8.0			
	8	3617	2157	1421	1106	811	465	42.5	381	14.0			
	10	4367	2604	1715	1314	974	559	47.0	448	24.0			
1450	2	2999	1788	1178	1015	718	412	25.7	173	2.8	31.9	0.54	BZMW.041 145 12.XXX/20
	4	3401	2028	1336	1097	785	450	30.5	268	5.5			
	6	3894	2323	1530	1215	881	505	37.3	373	10.3			
	8	4551	2714	1788	1390	1019	584	43.0	466	18.5			
	10	5444	3247	2138	1640	1216	698	47.0	510	28.8			

### HEIGHT 410 – 4-PIPE

L mm	CONTROL VOLTAGE V	HEATING			TOTAL COOLING	SENSIBLE COOLING	LIGHT COOLING	SOUND PRESSURE*	AIR FLOW	POWER CONSUMPTION	WEIGHT	WATER CONTENT	ORDER CODE
		75/65 Watts	55/45 Watts	45/35 Watts	7/12 Watts	7/12 Watts	16/18 Watts	dB(A)	m³/h	Watts	kg	l	
750	2	698	416	274	228	161	92	18.5	29	1.8	17.0	H: 0.17 C: 0.17	BZMW.041 075 12.XXX/4/20
	4	840	501	330	267	191	109	29.4	61	3.0			
	6	948	566	372	308	223	128	31.3	86	4.8			
	8	1120	668	440	353	259	149	37.3	116	8.0			
	10	1336	797	525	402	298	171	42.5	143	13.7			
950	2	1211	722	476	364	257	148	24.0	52	2.0	21.3	H: 0.27 C: 0.27	BZMW.041 095 12.XXX/4/20
	4	1349	805	530	430	308	177	30.0	92	3.4			
	6	1529	912	601	492	356	204	36.8	144	5.7			
	8	1797	1072	706	564	413	237	41.5	194	8.4			
	10	2200	1312	864	662	491	282	44.5	229	14.4			
1250	2	1924	1148	756	592	418	240	24.6	73	2.3	29.0	H: 0.43 C: 0.43	BZMW.041 125 12.XXX/4/20
	4	2163	1290	850	673	482	276	30.2	149	4.1			
	6	2470	1473	970	765	554	318	37.0	220	7.4			
	8	2896	1727	1138	884	648	372	42.5	278	12.6			
	10	3492	2083	1372	1051	780	447	47.0	364	20.9			
1450	2	2380	1420	935	717	507	291	25.7	89	2.5	33.9	H: 0.54 C: 0.54	BZMW.041 145 12.XXX/4/20
	4	2722	1623	1069	840	601	345	30.5	158	4.5			
	6	3119	1860	1225	964	698	400	37.3	227	9.0			
	8	3641	2171	1430	1114	816	468	43.0	289	17.0			
	10	4355	2597	1711	1312	973	558	47.0	382	28.8			

#### Head Office

The Radiator Centre, 7 Holywell Hill, St Albans, AL1 1EU

Tel: 01727 840344

### HEIGHT 550 – 2-PIPE

L mm	CONTROL VOLTAGE V	HEATING			TOTAL COOLING	SENSIBLE COOLING	LIGHT COOLING	SOUND PRESSURE*	AIR FLOW	POWER CONSUMPTION	WEIGHT	WATER CONTENT	ORDER CODE
		75/65 Watts	55/45 Watts	45/35 Watts	7/12 Watts	7/12 Watts	16/18 Watts	dB(A)	m³/h	Watts	kg	l	
750	2	1400	835	550	419	296	170	19.2	81	2.0	18.0	0.33	BZMW.055 075 12.XXX/20
	4	1701	1014	668	521	373	214	25.2	118	3.2			
	6	2000	1193	786	617	447	256	32.2	154	5.5			
	8	2295	1369	902	705	517	296	38.1	193	9.6			
	10	2588	1544	1017	781	579	332	42.5	228	16.8			
950	2	2250	1342	884	728	515	295	23.0	116	2.2	23.0	0.54	BZMW.055 095 12.XXX/20
	4	2781	1658	1092	872	624	358	27.8	176	3.6			
	6	3309	1973	1300	1025	743	426	34.4	238	5.7			
	8	3816	2276	1499	1171	859	492	39.9	291	9.6			
	10	4285	2555	1683	1294	959	550	43.5	332	15.6			
1250	2	3561	2124	1399	1170	827	474	23.1	153	2.8	30.0	0.87	BZMW.055 125 12.XXX/20
	4	4420	2636	1736	1387	993	569	29.1	236	5.4			
	6	5280	3149	2074	1628	1179	676	36.5	321	10.0			
	8	6097	3637	2395	1863	1365	783	42.5	398	18.0			
	10	6831	4074	2683	2062	1529	877	46.5	467	28.8			
1450	2	4509	2689	1771	1455	1029	590	25.0	182	2.8	34.0	1.08	BZMW.055 145 12.XXX/20
	4	5525	3295	2170	1728	1237	709	30.8	270	5.5			
	6	6588	3929	2588	2030	1471	843	37.5	360	10.0			
	8	7615	4542	2991	2324	1704	977	42.8	455	18.0			
	10	8526	5085	3349	2575	1910	1095	46.5	531	28.8			

### HEIGHT 550 – 4-PIPE

L mm	CONTROL VOLTAGE V	HEATING			TOTAL COOLING	SENSIBLE COOLING	LIGHT COOLING	SOUND PRESSURE*	AIR FLOW	POWER CONSUMPTION	WEIGHT	WATER CONTENT	ORDER CODE
		75/65 Watts	55/45 Watts	45/35 Watts	7/12 Watts	7/12 Watts	16/18 Watts	dB(A)	m³/h	Watts	kg	l	
750	2	610	364	240	340	240	138	19.2	27	1.6	19.0	H: 0.17 C: 0.33	BZMW.055 075 12.XXX/4/20
	4	696	415	273	396	284	163	25.2	67	2.2			
	6	778	464	306	464	336	193	32.2	107	3.6			
	8	923	550	363	531	389	223	38.1	137	6.3			
	10	1102	657	433	586	434	249	42.5	171	10.3			
950	2	1000	596	393	555	392	225	23.0	72	2.1	24.0	H: 0.27 C: 0.54	BZMW.055 095 12.XXX/4/20
	4	1115	665	438	654	468	268	27.8	123	3.4			
	6	1250	745	491	764	554	318	34.4	168	5.9			
	8	1480	883	581	873	640	367	39.9	228	10.0			
	10	1813	1081	712	969	719	412	43.5	257	15.6			
1250	2	1570	936	617	865	612	351	23.1	112	2.3	31.5	H: 0.43 C: 0.87	BZMW.055 125 12.XXX/4/20
	4	1798	1072	706	1038	743	426	29.1	183	4.2			
	6	2040	1216	801	1224	887	509	36.5	260	7.5			
	8	2399	1431	942	1401	1027	589	42.5	328	12.8			
	10	2879	1717	1131	1546	1147	658	46.5	385	22.3			
1450	2	1980	1181	778	1126	797	457	25.0	126	2.7	36.0	H: 0.54 C: 1.08	BZMW.055 145 12.XXX/4/20
	4	2245	1339	882	1302	932	534	30.8	228	5.2			
	6	2565	1530	1008	1521	1102	632	37.5	304	9.1			
	8	2996	1787	1177	1742	1277	732	42.8	393	16.0			
	10	3591	2142	1411	1928	1430	820	46.5	462	27.3			

#### Head Office

The Radiator Centre, 7 Holywell Hill, St Albans, AL1 1EU

Tel: 01727 840344

### HEIGHT 380 – 2-PIPE

L mm	CONTROL VOLTAGE V	HEATING			TOTAL COOLING	SENSIBLE COOLING	LIGHT COOLING	SOUND PRESSURE*	AIR FLOW	POWER CONSUMPTION	WEIGHT	WATER CONTENT	ORDER CODE
		75/65 Watts	55/45 Watts	45/35 Watts	7/12 Watts	7/12 Watts	16/18 Watts	dB(A)	m³/h	Watts	kg	l	
520	2	1000	596	393	279	197	113	19.0	70	1.6			BZBW.038 052 12./20
	4	1150	686	452	347	248	142	25.2	111	2.6			
	6	1310	781	515	415	301	172	32.5	155	4.3	7.0	0.17	
	8	1530	912	601	484	355	203	39.0	196	7.2			
	10	1836	1095	721	553	410	235	44.0	235	13.0			
720	2	1619	966	636	488	345	198	21.5	119	2.5			BZBW.038 072 12./20
	4	1982	1182	778	570	408	234	27.5	189	4.3			
	6	2099	1252	824	668	484	277	34.9	245	7.2	9.0	0.27	
	8	2461	1467	967	782	573	329	40.7	315	11.5			
	10	3021	1802	1187	911	676	387	45.0	380	18.0			
1020	2	2604	1553	1023	804	569	326	23.1	160	2.6			BZBW.038 102 12./20
	4	3192	1903	1254	899	644	369	30.0	243	4.8			
	6	3409	2033	1339	1039	753	432	38.0	328	8.0	13.0	0.43	
	8	3995	2383	1570	1221	895	513	44.0	419	14.0			
	10	4799	2862	1885	1445	1072	615	48.5	492	24.0			
1220	2	3273	1952	1286	967	684	392	26.0	190	2.8			BZBW.038 122 12./20
	4	4023	2399	1580	1029	737	423	31.4	295	5.5			
	6	4297	2563	1688	1267	918	526	38.4	410	10.3	14.0	0.54	
	8	5021	2995	1972	1560	1143	656	44.2	512	18.5			
	10	5983	3568	2350	1795	1331	763	48.0	560	28.8			

### HEIGHT 380 – 4-PIPE

L mm	CONTROL VOLTAGE V	HEATING			TOTAL COOLING	SENSIBLE COOLING	LIGHT COOLING	SOUND PRESSURE*	AIR FLOW	POWER CONSUMPTION	WEIGHT	WATER CONTENT	ORDER CODE
		75/65 Watts	55/45 Watts	45/35 Watts	7/12 Watts	7/12 Watts	16/18 Watts	dB(A)	m³/h	Watts	kg	l	
520	2	799	477	314	247	174	100	19.0	32	1.8			BZBW.038 052 12./4/20
	4	918	548	361	291	208	119	25.2	67	3.0			
	6	1053	628	414	338	245	140	32.5	95	4.8	8.0	H: 0.17 C: 0.17	
	8	1228	732	482	388	285	163	39.0	128	8.0			
	10	1468	876	577	442	328	188	44.0	157	13.7			
720	2	1343	801	528	406	287	165	21.5	57	2.0			BZBW.038 072 12./4/20
	4	1497	893	588	468	335	192	27.5	101	3.4			
	6	1681	1003	660	535	388	222	34.9	158	5.7	10.0	H: 0.27 C: 0.27	
	8	1965	1172	772	619	454	260	40.7	213	8.4			
	10	2417	1441	949	728	540	310	45.0	252	14.4			
1020	2	2102	1254	826	666	471	270	23.1	80	2.3			BZBW.038 102 12./4/20
	4	2395	1428	941	742	531	305	30.0	164	4.1			
	6	2731	1629	1073	838	607	348	38.0	242	7.4	14.5	H: 0.43 C: 0.43	
	8	3186	1900	1252	971	712	408	44.0	305	12.6			
	10	3839	2290	1508	1156	857	492	48.5	400	20.9			
1220	2	2606	1554	1024	818	578	332	26.0	98	2.5			BZBW.038 122 12./4/20
	4	2998	1788	1178	927	663	380	31.4	174	4.5			
	6	3431	2046	1348	1054	763	438	38.4	249	9.0	16.0	H: 0.54 C: 0.54	
	8	3997	2384	1570	1218	893	512	44.2	318	17.0			
	10	4787	2855	1881	1438	1067	612	48.0	420	28.8			

#### Head Office

The Radiator Centre, 7 Holywell Hill, St Albans, AL1 1EU

Tel: 01727 840344

### HEIGHT 520 – 2-PIPE

L mm	CONTROL VOLTAGE V	HEATING			TOTAL COOLING	SENSIBLE COOLING	LIGHT COOLING	SOUND PRESSURE*	AIR FLOW	POWER CONSUMPTION	WEIGHT	WATER CONTENT	ORDER CODE
		75/65 Watts	55/45 Watts	45/35 Watts	7/12 Watts	7/12 Watts	16/18 Watts	dB(A)	m³/h	Watts	kg	l	
520	2	1500	894	589	461	326	187	21.0	89	2.0	8.0	0.33	BZBW.052 052 12./20
	4	1751	1044	688	541	387	222	27.0	130	3.2			
	6	2109	1258	829	641	464	266	33.9	169	5.5			
	8	2400	1432	943	754	553	317	39.7	212	9.6			
	10	2717	1620	1067	820	608	349	44.0	250	16.8			
720	2	2465	1470	968	787	557	319	21.8	127	2.2	10.0	0.54	BZBW.052 072 12./20
	4	2931	1748	1151	919	658	377	27.2	193	3.6			
	6	3499	2087	1375	1069	775	444	34.6	262	5.7			
	8	4011	2392	1575	1221	895	513	40.8	320	9.6			
	10	4499	2683	1767	1357	1006	577	45.0	365	15.6			
1020	2	3895	2323	1530	1252	886	508	24.0	168	2.8	14.5	0.87	BZBW.052 102 12./20
	4	4651	2774	1827	1450	1038	595	30.3	259	5.4			
	6	5549	3309	2180	1703	1234	708	37.7	353	10.0			
	8	6391	3811	2510	1959	1436	823	43.7	437	18.0			
	10	7172	4277	2817	2163	1605	920	48.0	513	28.8			
1220	2	4652	2774	1827	1545	1093	627	26.2	200	2.8	15.0	1.08	BZBW.052 122 12./20
	4	5794	3455	2276	1817	1300	746	32.0	297	5.5			
	6	6924	4130	2720	2142	1552	890	39.0	396	10.0			
	8	7994	4768	3140	2431	1782	1022	44.5	500	18.0			
	10	8954	5340	3518	2702	2004	1149	48.5	583	28.8			

### HEIGHT 520 – 4-PIPE

L mm	CONTROL VOLTAGE V	HEATING			TOTAL COOLING	SENSIBLE COOLING	LIGHT COOLING	SOUND PRESSURE*	AIR FLOW	POWER CONSUMPTION	WEIGHT	WATER CONTENT	ORDER CODE
		75/65 Watts	55/45 Watts	45/35 Watts	7/12 Watts	7/12 Watts	16/18 Watts	dB(A)	m³/h	Watts	kg	l	
520	2	640	382	251	353	250	143	21.0	30	1.6	9.0	H: 0.17 C: 0.33	BZBW.052 052 12./4/20
	4	725	433	285	413	295	169	27.0	74	2.2			
	6	830	495	326	489	354	203	33.9	118	3.6			
	8	969	578	381	552	405	232	39.7	151	6.3			
	10	1157	690	455	615	457	262	44.0	188	10.3			
720	2	1050	626	412	575	407	233	21.8	79	2.1	11.0	H: 0.27 C: 0.54	BZBW.052 072 12./4/20
	4	1176	702	462	684	490	281	27.2	135	3.4			
	6	1314	784	516	805	583	334	34.6	185	5.9			
	8	1550	925	609	921	675	387	40.8	251	10.0			
	10	1903	1135	748	1018	755	433	45.0	282	15.6			
1020	2	1650	984	648	941	666	382	24.0	123	2.3	15.5	H: 0.43 C: 0.87	BZBW.052 102 12./4/20
	4	1891	1128	743	1094	783	449	30.3	201	4.2			
	6	2150	1282	845	1287	932	535	37.7	286	7.5			
	8	2503	1493	983	1462	1072	615	43.7	360	12.8			
	10	3023	1803	1188	1623	1204	690	48.0	423	22.3			
1220	2	2002	1194	786	1147	811	465	26.2	139	2.7	17.0	H: 0.54 C: 1.08	BZBW.052 122 12./4/20
	4	2362	1409	928	1367	979	561	32.0	251	5.2			
	6	2700	1610	1061	1604	1162	666	39.0	334	9.1			
	8	3152	1880	1238	1832	1343	770	44.5	432	16.0			
	10	3769	2248	1481	2026	1502	862	48.5	508	27.3			

#### Head Office

The Radiator Centre, 7 Holywell Hill, St Albans, AL1 1EU

Tel: 01727 840344

The Radiator Centre reserves the right to alter design, specifications and prices without prior notice.

All prices shown exclude VAT. All sales are subject to our standard Terms and Conditions which can be found on [www.theradiatorcentre.com](http://www.theradiatorcentre.com) All heat outputs are shown at an operating temperatures of 75/65/20 ( $\Delta t50^\circ$ ).  
To recalculate to show at 90/70/20 ( $\Delta t60^\circ$ ) multiply by 1.264.

All radiators will be supplied with the necessary fixture and fittings - brackets, air vents, etc.  
Valves are not included in the prices quoted above

**Head Office**

The Radiator Centre, 7 Holywell Hill, St Albans, AL1 1EU

Tel: 01727 840344