



**EUROPEAN
WARRANTY**



DESCRIPTION:

SOFI® is the brand new radiator with high power and efficiency, which combines the features and appearance of a traditional radiator with the functions and performance of a fan coil. Ideal for functioning even at low temperatures. SOFI® is a system that can be used in both, heating and cooling.

FIXING KIT:

Wall fixing plate and wall plugs suitable for compact or hollow brick walls.

PACKAGING:

The radiator is protected by recyclable carton box. User notice included.

PAINTING PROCESS:

Painted with ecological epoxy powders (Certificate DIN 55900-1,-2).

COLOURS:

See colour chart.

CLEANING:

Folding front panel to allow accurate cleaning of the entire radiator. Filters are easily removable, washable or replaceable.

CLASS PROTECTION:

CLASS 1

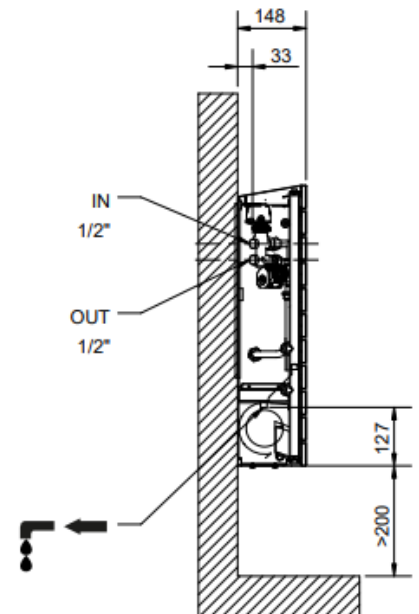
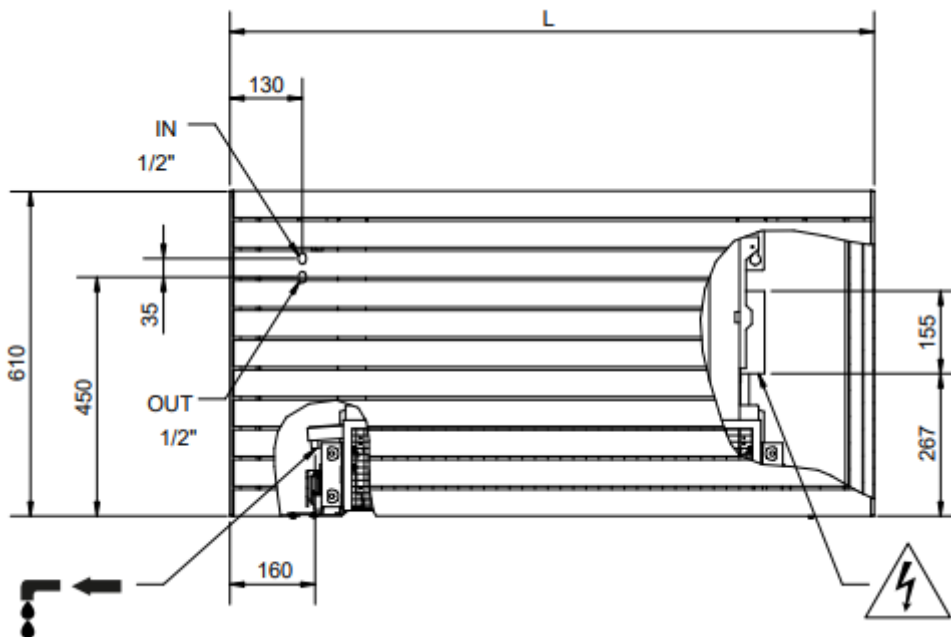
Power supply: 230V/50Hz

HYDRAULIC SPECIFICATION:

Connections: n° 2 x 1/2" G

P. Max: 5 bar

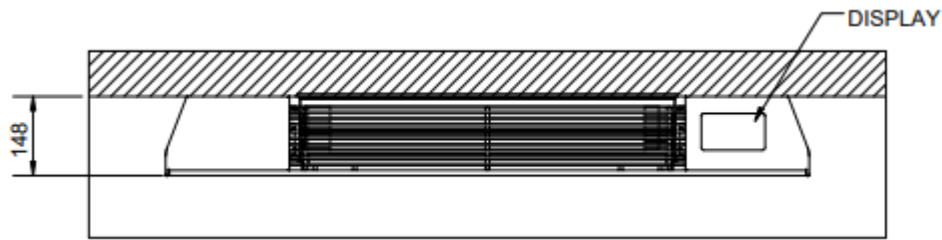
T. Max: 110° C



Head Office

The Radiator Centre, 7 Holywell Hill, St Albans, AL1 1EU

Tel: 01727 840344



SOFI® HORIZONTAL HC

Width L [mm]	Height H [mm]	Art. nr.	Thermal output in heating [Watt]										
			VENTILATION OFF			MEDIUM VENTILATION				MAXIMUM VENTILATION			
			T1 =70	T1 =60	T1= 50	T1 =70	T1 =60	T1= 50	T1= 45	T1 =70	T1 =60	T1= 50	T1= 45
800	610	3605776101001	1040	792	585	1952	1532	1175	987	2049	1627	1233	1015
1000	610	3605776101002	1709	1311	991	3533	2791	2170	1839	3726	3021	2286	1895
1200	610	3605776101003	2423	1997	1377	5079	4210	3035	2504	5372	4404	3196	2662
1400	610	3605776101004	3145	2591	1829	7202	5694	4085	3682	7202	6049	4645	3736

Art. nr. are referred to colour WHITE R01

MAIN FUNCTIONS

- Heating mode
- Cooling mode
- Auto mode
- Dehumidification mode
- Fan mode
- Electric valve 1 and 2
- Timer
- Electric heater
- Display touchpad block
- Fan mode
- Air inlet temperature and set temperature

The Radiator Centre reserves the right to alter design, specifications and prices without prior notice.

All prices shown exclude VAT. All sales are subject to our standard Terms and Conditions which can be found on www.theradiatorcentre.com All heat outputs are shown at an operating temperatures of 75/65/20 (Δt50°).

To recalculate to show at 90/70/20 (Δt60°) multiply by 1.264.

All radiators will be supplied with the necessary fixture and fittings - brackets, air vents, etc.
Valves are not included in the prices quoted above

Head Office

The Radiator Centre, 7 Holywell Hill, St Albans, AL1 1EU

Tel: 01727 840344