

Description

Combining a radiator with a towel rail is an excellent way for generating more heat for a cold bathroom. However, any advantage would be lost if the radiator was smothered with thick towels.

The attraction of the Buckingham, especially in more traditional rooms, is the period styling which comes from the 'ball' joints and curved tubes, the excellent heat outputs generated from the inset radiator and the towel bars sitting forward allowing for maximum drying space without compromising on the warmth.

The Buckingham is available in five sizes floor mounted and three wall mounted versions, which are perfect for smaller cloakrooms or for going above baths, sinks or toilets. There is also an excellent range of finishes that offers something for every situation. Electric only and dual-fuel versions are also available.

Product Specifications

Material	Brass
Standard Colours	Chrome
Colours	Polished Brass, Antique Brass, Polished Nickel, Brushed Nickel, Polished Gold
Delivery	Approximately 4-6 weeks
Guarantee	5 Years
Outputs	645 - 1120 watts @ Δt 50°C



Head Office

The Radiator Centre, 7 Holywell Hill, St Albans, AL1 1EU

Tel: 01727 840344

Product Code	Height (mm)	Width (mm)	Wall or Floor Mounted	Depth / Projection (mm)	Output : Watts @ T50 degrees	Output : BTU @ T50 degrees
BUC01	952	500	Floor Mounted	250	645	2200
BUC02	952	685	Floor Mounted	250	985	3370
BUC03	952	837	Floor Mounted	250	1328	4531
BUC04	952	989	Floor Mounted	250	1666	6584
BUC05	1496	500	Floor Mounted	250	1120	3822
BUC01W	789	500	Wall Mounted	250	645	2200
BUC02W	789	685	Wall Mounted	250	985	3370
BUC03W	789	837	Wall Mounted	250	1328	4531

The Radiator Centre reserves the right to alter design, specifications and prices without prior notice. All prices shown exclude VAT. All sales are subject to our standard Terms and Conditions which can be found on www.theradiatorcentre.com

All heat outputs are shown at an operating temperatures of 75/65/20 ($\Delta t50^\circ$). To recalculate to show at 90/70/20 ($\Delta t60^\circ$) multiply by 1.264.

All radiators will be supplied with the necessary fixture and fittings - brackets, air vents, etc. Valves are not included in the prices quoted above.

Head Office

The Radiator Centre, 7 Holywell Hill, St Albans, AL1 1EU

Tel: 01727 840344

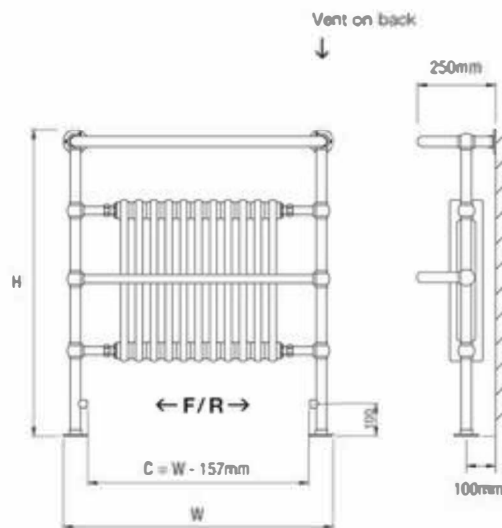
Floor Mounted

Standard Connections 1/2"

Other connections are available on request.

F = Flow
R = Return
E = Element Position

Tube Diameter = 31.8mm



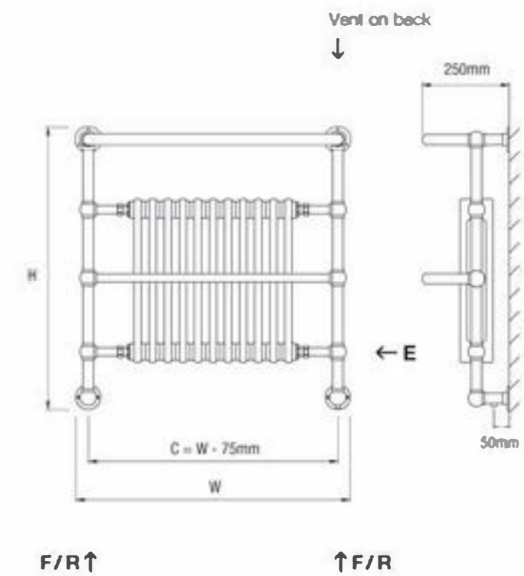
Wall Mounted

Standard Connections 1/2"

Other connections are available on request.

F = Flow
R = Return
E = Element Position

Tube Diameter = 31.8mm



Head Office

The Radiator Centre, 7 Holywell Hill, St Albans, AL1 1EU

Tel: 01727 840344